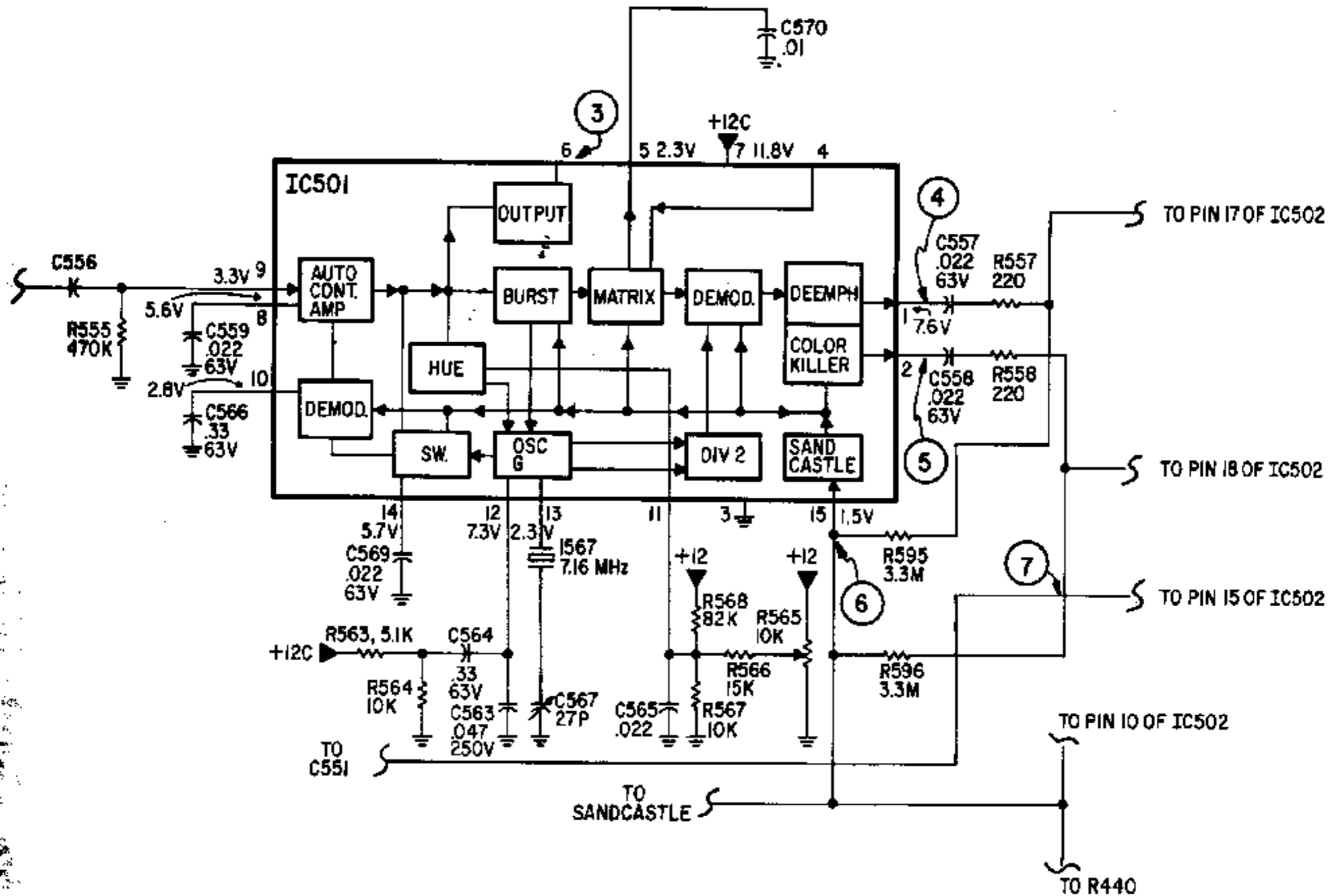
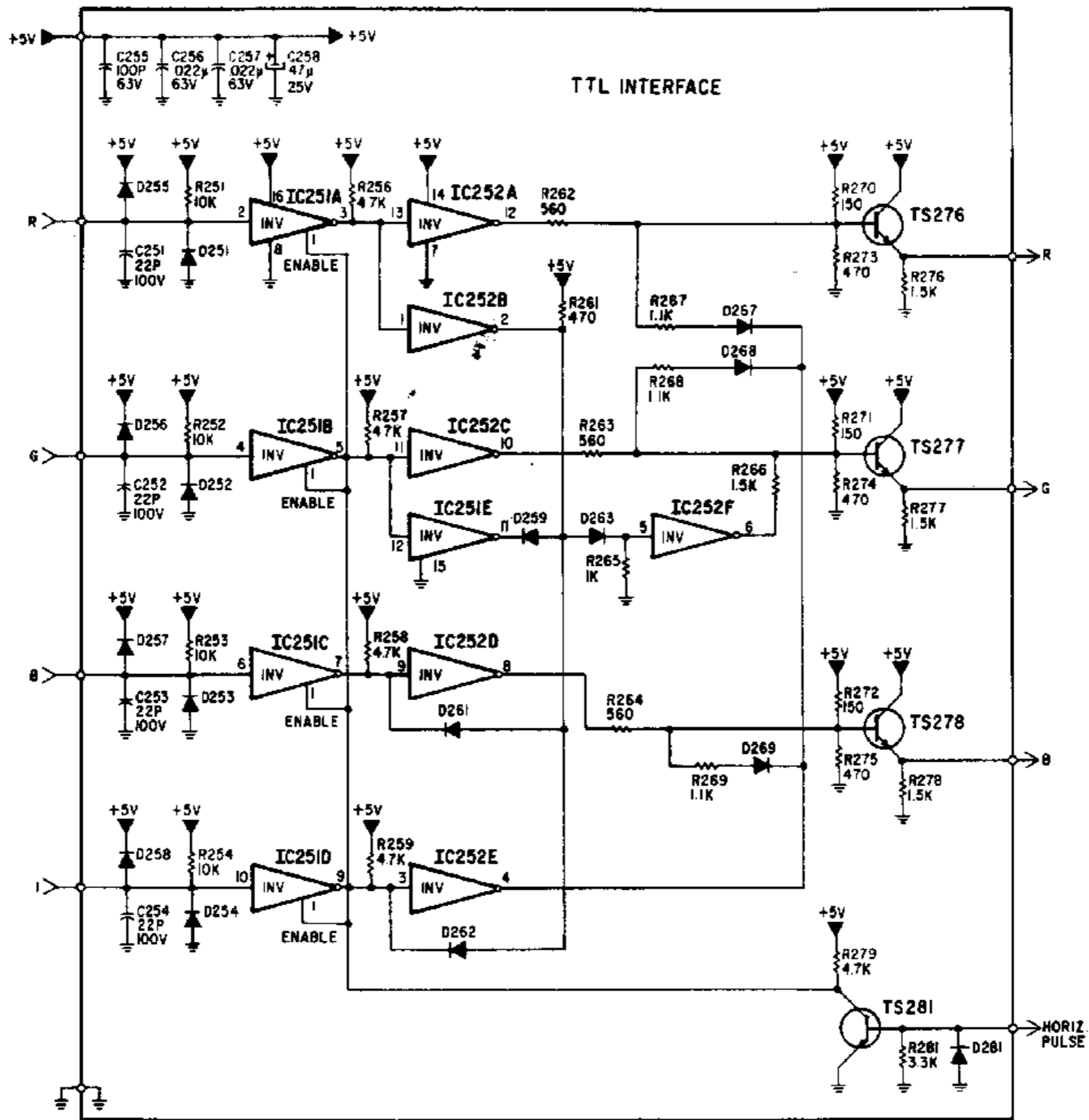


IC501 ALTERNATE 16 PIN IC



INTERFACE SCHEMATIC DIAGRAM (Late Production Version)



1084 SERIES
STEREO AMPL.

